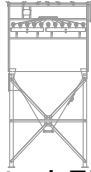


Pulse Jet Pleated Collectors

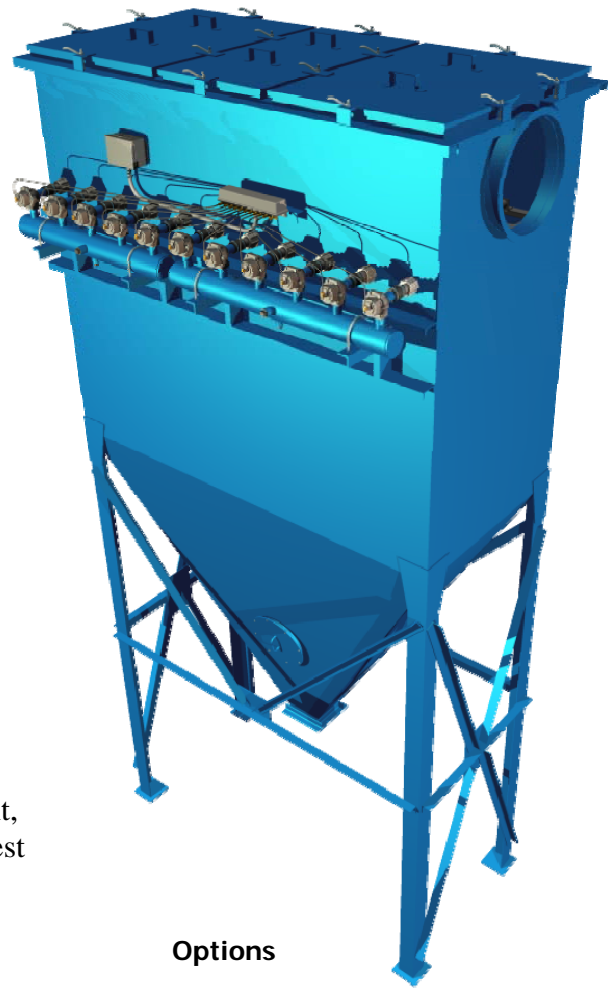


Compact Pleated Element Collectors

For applications requiring 211 to 1,960 ft² of cloth area per unit with 20", 40", 54" long filters.

LIBERATOR pleated element collectors provide an industry leading design. To ensure consistent performance we have tuned our pleated collectors around OEM filter characteristics. Can velocities, interstitial velocities, and periphery face velocities have been calculated for each unit. We then configured our collector design with these critical operating factors.

Pleated element collectors can provide a better alternative to applications suited for a cartridge type collector. Providing a powerful amount of collection in a small footprint, the **LIBERATOR** pleated element collectors embrace the latest technology advancements.



Pleated Collector Features

- Compact advanced pleated design provides more filter area per square foot of collector floor space than traditional cartridge collectors.
- Low profile design suitable for indoor installation. Long duct runs and insulation requirements are often eliminated reducing both initial install costs and daily energy consumption.
- Provides increased filtering capacity for high efficiency application flexibility.
- Economical solution to meet ever-increasing regulatory requirements.
- Welded 10 ga. carbon steel construction.
- Operating temperatures to 200 °F.
- Filters are changed from the clean side of the collector housing. Operators are not in direct contact with toxic or valuable collected product. Fugitive emissions associated with dirty side change-outs (typical cartridge collector) are eliminated.
- Low compressed air requirements save energy costs.

Comes Complete With:

- Spun Bond Polyester filters using EPA/ETV verified media.
- Double diaphragm pulse valves and compressed air manifold system with NEMA 4 solenoid pilot valve enclosures.
- Programmable solid-state timer controls in a NEMA 4 enclosure. Pre-wired and set-up for continuous cleaning.
- Structural steel support.
- Primed and painted with industrial grade enamel.

Options

- NEMA 7 or 9 controls for potentially explosive environments.
- Stainless steel construction for corrosive applications.
- Aramid, PPS, PTFE Membrane, and other filter medias available. Hydro and Oleo phobic treatment, and grounding options.
- High temperature configurations.
- Explosion panels.
- Custom discharge height.
- Pressure readout gage.
- Discharge drum cover kits and slide gates.
- Clean on demand controller.
- System engineering and install services available.

CALL 800-686-9297

For Application Assistance

CALL 800-686-9297



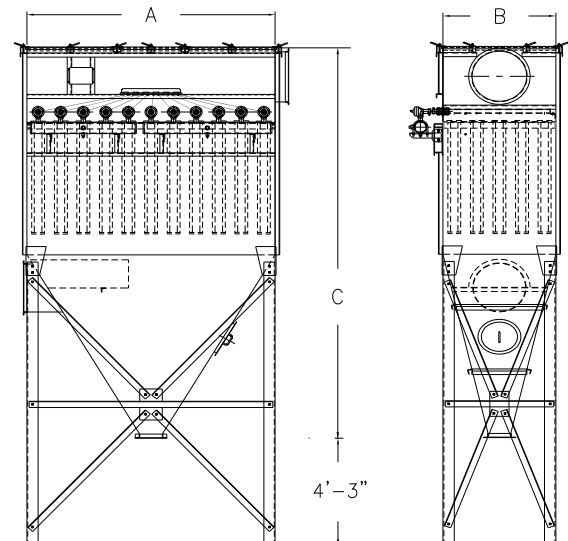
Schust Engineering, Inc.

Pre-Engineered Series
Pulse-Jet Pleated Element Collectors
TB-PPR-R6-7-11

LIBERATOR™
DUST COLLECTORS

www.schustengineering.com

Model	Filter Information				Approximate Dimensions		
	Number of Filters	Length of Filter	Number of Pleats	Cloth Area (ft. ²)	A	B	C
44-PPR-20-40	16	20.4"	40	211	3'-6"	3'-6"	7'-4"
44-PPR-40-40		40.4"		422			9'-0"
44-PPR-54-40		54.4"		570			10'-3"
55-PPR-20-40	25	20.4"	40	330	4'-4"	4'-4"	8'-0"
55-PPR-40-40		40.4"		660			9'-11"
55-PPR-54-40		54.4"		891			10'-10"
65-PPR-20-40	30	20.4"	40	396	5'-2"	4'-4"	8'-9"
65-PPR-40-40		40.4"		792			10'-5"
65-PPR-54-40		54.4"		1,069			11'-7"
75-PPR-20-40	35	20.4"	40	461	6'-0"	4'-4"	9'-5"
75-PPR-40-40		40.4"		924			11'-1"
75-PPR-54-40		54.4"		1,247			12'-11"
85-PPR-20-40	40	20.4"	40	528	6'-10"	4'-4"	10'-1"
85-PPR-40-40		40.4"		1,056			12'-7"
85-PPR-54-40		54.4"		1,425			13'-9"
95-PPR-20-40	45	20.4"	40	594	7'-8"	4'-4"	10'-10"
95-PPR-40-40		40.4"		1,188			13'-4"
95-PPR-54-40		54.4"		1,603			14'-6"
105-PPR-20-40	50	20.4"	40	660	8'-6"	4'-4"	11'-6"
105-PPR-40-40		40.4"		1,320			14'-1"
105-PPR-54-40		54.4"		1,782			15'-3"
115-PPR-20-40	55	20.4"	40	725	9'-4"	4'-4"	12'-4"
115-PPR-40-40		40.4"		1,451			14'-6"
115-PPR-54-40		54.4"		1,960			15'-8"



STANDARD FEATURES

- ALL WELDED HEAVY DUTY CONSTRUCTION
- NEMA 4 TIMER CONTROLS AND SOLENOID ENCLOSURES
- FLANGED INLET AND OUTLET
- SCHUST BLUE INDUSTRIAL GRADE ENAMEL PAINT

Note:
Maximum operating temperature of 200 degrees Fahrenheit for standard filter media. Other filter media options available.
Dimensions and product features subject to updating without notice.

Schust Engineering, Inc.

701 North Street Auburn, Indiana 46706 Phone: (800) 686-9297